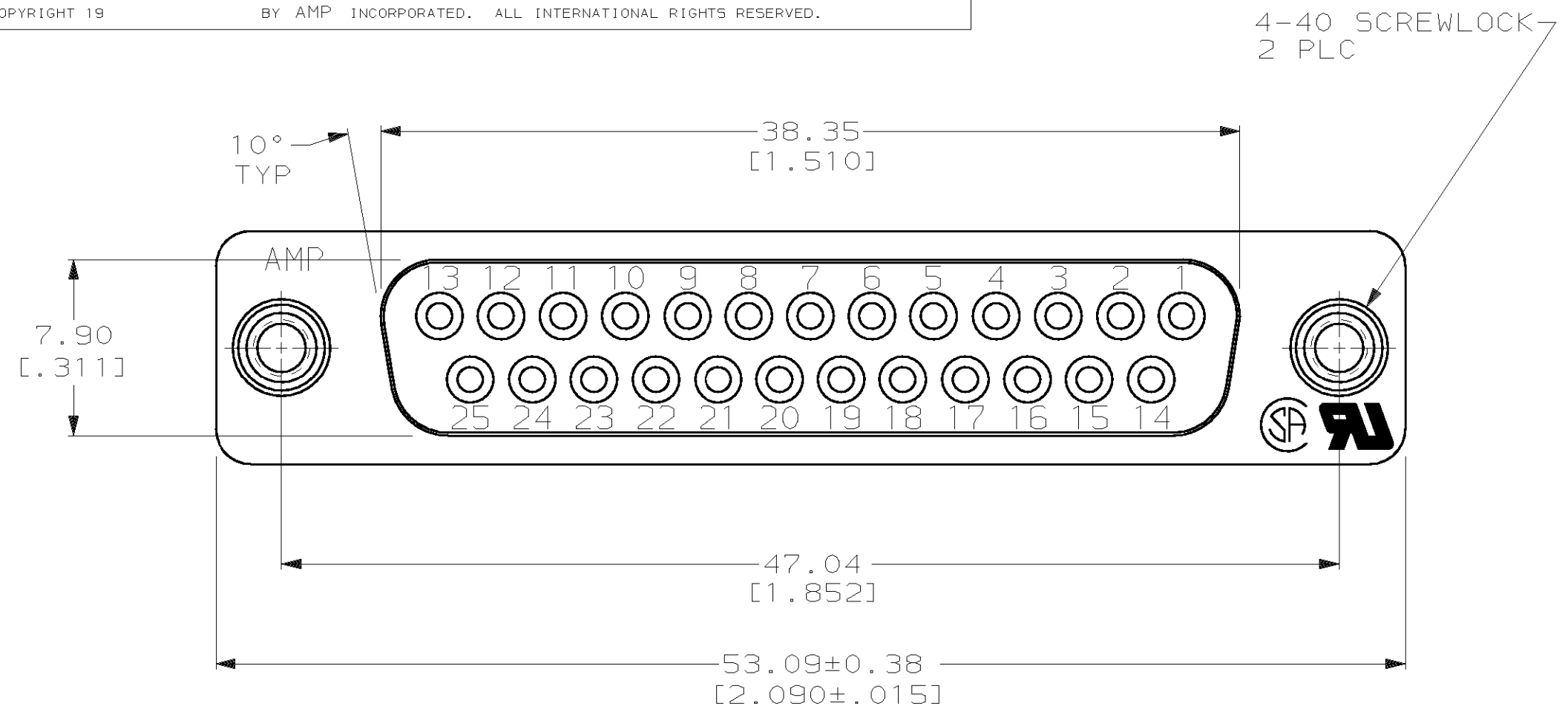
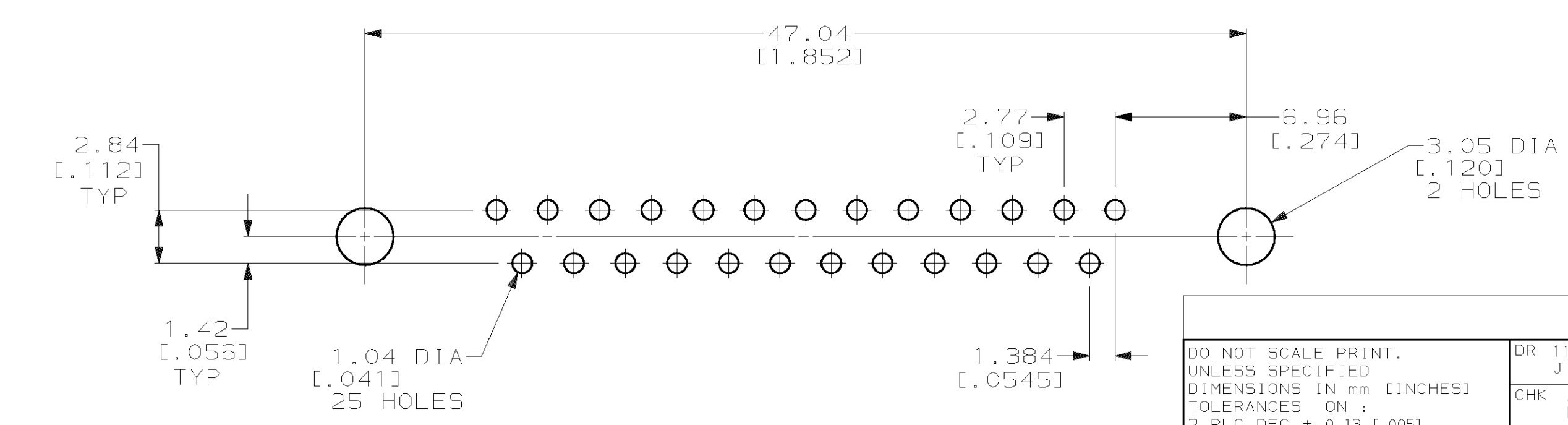
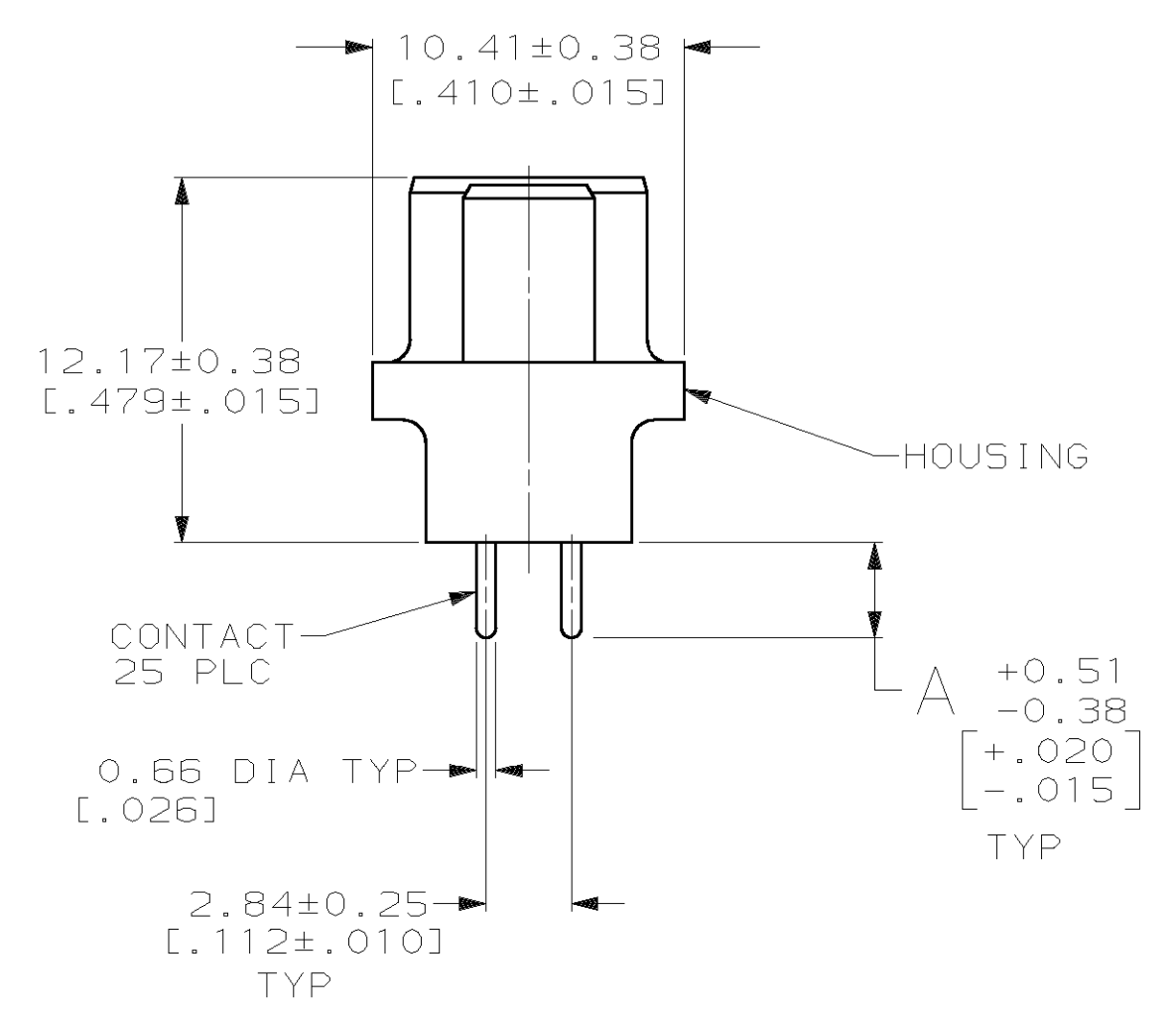
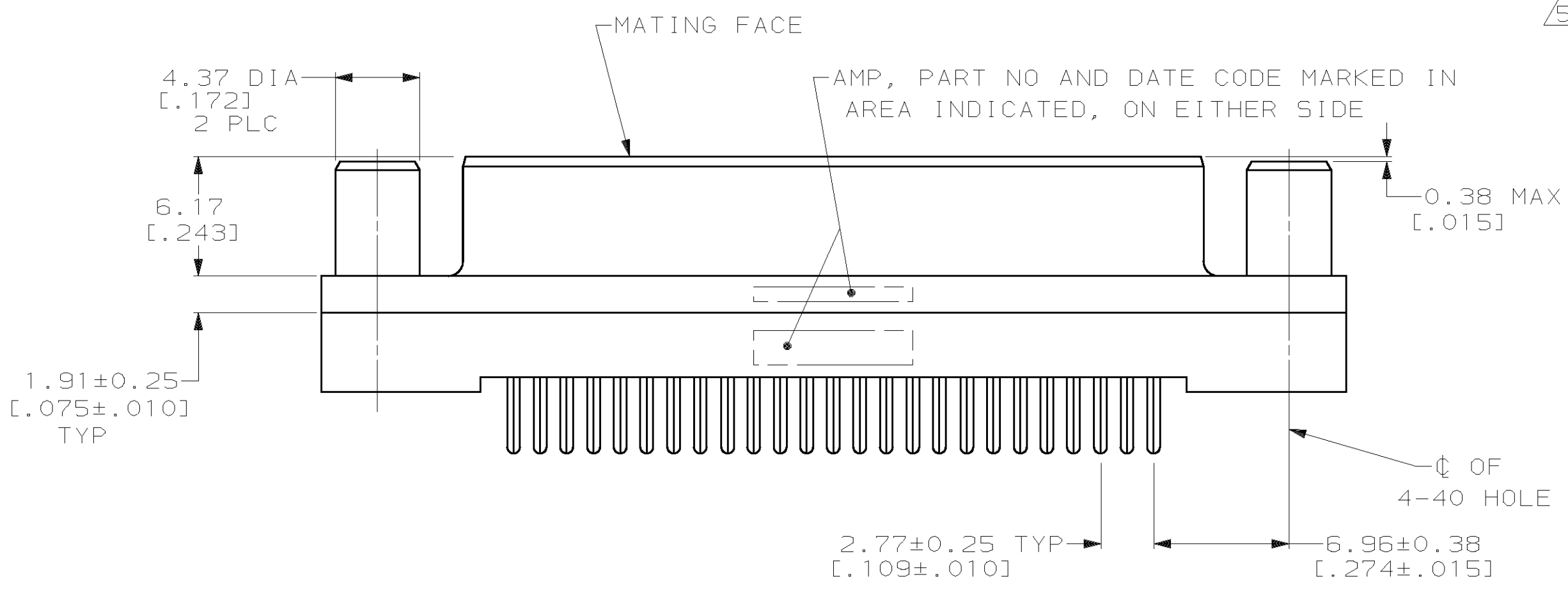


THIS DRAWING IS UNPUBLISHED. RELEASED FOR PUBLICATION .19
 © COPYRIGHT 19 BY AMP INCORPORATED. ALL INTERNATIONAL RIGHTS RESERVED.

LOC	DIST	P	F	REVISIONS				
				ZONE	LTR	DESCRIPTION	DATE	APPD
BD	77			C		REDRAWN & REVISED, ECN BD3361	11-89	SS
				D		REV PER ECN BD4888	05/16/91	-
				E		OBSOLETE -8 EC 0020-625-93	09/15/93	CR
				F		OBS -7 AND REV PER OU1D-0126-00	01 NOV 00	RF



- ① HOUSING: BLACK POLYESTER, UL 94V-0 RATED; CONTACTS: PHOSPHOR BRONZE PER QQ-B-750; SCREWLOCKS: BRASS PER QQ-B-626.
- ② GOLD PLATING PER MIL-G-45204, TIN PLATING PER MIL-T-10727, NICKEL PLATING PER QQ-N-290, COPPER PLATING PER MIL-C-14550.
- ③ GOLD FLASH FOR A LENGTH OF 2.54[.100] MIN FROM MATING END, 2.54µm[.000100] MIN TIN OR TIN-LEAD FOR A LENGTH OF DIMENSION A FROM OPPOSITE END, ALL OVER 1.27µm[.000050] MIN NICKEL.
- ④ 0.76µm[.000030] MIN GOLD FOR A LENGTH OF 2.54[.100] MIN FROM MATING END, 2.54µm[.000100] MIN TIN OR TIN-LEAD FOR A LENGTH OF DIMENSION A FROM OPPOSITE END, ALL OVER 1.27µm[.000050] MIN NICKEL.
- ⑤ 1.27µm[.000050] MIN NICKEL OVER COPPER FLASH.



	A	CONTACT FINISH	PART NO
OBSOLETE	6.35 [.250]	④	745078-8
OBSOLETE	6.35 [.250]	③	745078-7
	4.32 [.170]	④	745078-6
	4.32 [.170]	③	745078-5
	3.18 [.125]	④	745078-4
	3.18 [.125]	③	745078-3

RECOMMENDED PC BOARD MOUNTING DIMENSIONS

DO NOT SCALE PRINT. UNLESS SPECIFIED DIMENSIONS IN mm [INCHES] TOLERANCES ON : 2 PLC DEC ± 0.13 [.005] 3 PLC DEC ± - ANGLES ± 2°	DR 11-16-89 J McCLINTON	AMP INCORPORATED Harrisburg, Pa. 17105	
	CHK 2-2-90 R. STONE		
MATERIAL ①	APPD 2-2-90 S. SCHIEFFERLY	SIZE C	CAGE CODE 00779
	APPD 2-2-90 C. ROHDE	PRODUCT SPEC 108-40025	DRAWING NO 745078
FINISH ② CONTACT: SEE TABLE SCREWLOCK: ⑤	APPLICATION SPEC -	SCALE 4:1	SHEET 1 OF 1
	WEIGHT -		